

# LED Explosion Proof Light

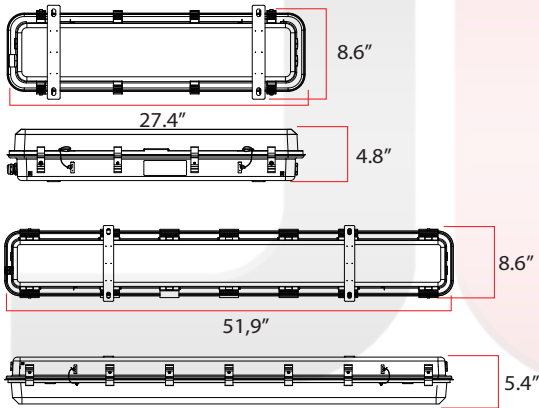
Explosion Proof LED Strip Fixture (R Series)



The R Series fixture is a hazardous location LED strip fixture suitable for high temperature, high humidity, dust and vapor locations. 2 foot and 4 foot options available in a stainless steel sealed housing.



## DIMENSIONS



## CERTIFICATIONS & RATINGS



- NEMA 4X, IP66
  - UL1598/UL1589A/UL844
  - CSA C22.2 No. 137/No.250.0
  - IECEx
  - ATEX
- Class I, Division 2, Groups A,B,C,D  
Class II, Division 1, Groups E,F,G  
Class II, Division 2, Groups F,G  
Class III

## FEATURES

- IP66 Rating
- 140 Lumens per Watt
- 2 Foot & 4 Foot Lengths
- Stainless Steel Housing
- High Impact Resistance
- 5 Year Warranty
- Optional Backup Battery
- Multiple Mounting Options

## COMMON TECHNICAL DATA

Color Temperature	2200K – 7000K
Beam Angle	120 Degrees
CRI	>70
Operation Temperature	-40°F up to 140°F
Lumen Efficiency	140 Lumens per Watt
Input Voltage	AC100-277V / 220-480V
Frequency	50-60Hz
Rated Life	50,000 Hours
Power Factor	More than 90
Housing	Stainless Steel & PC

## WARRANTY

This product has a warranty for a period of 5 years from the date of purchase. The warranty is invalid in the case of improper installation, tampering, or removal of the Q.C. date label. Installation in an improper working environment or installation not according to the current edition of the National Electric Code also invalidates the warranty. Should this product fail during the warranty period, it will be replaced free of charge, subject to correct installation and return of the faulty unit. James® does not accept responsibility for any installation costs associated with the replacement of this product. This warranty is in addition to the statutory rights in the country of purchase. James® reserves the right to alter specifications without prior notice.

# LED Explosion Proof Light

Explosion Proof LED Strip Fixture (R Series)



## PRODUCT SPECIFICATION

Model	Watts	Lumens	Color Temp	Dimensions	Warranty	Life
JLX-30W R2YZDA	30	4,200	2200-7000K	27.4"L x 8.6"W x 4.8"H	5 Years	50,000 Hours
JLX-50W R4YZDA	50	7,000	2200-7000K	27.4"L x 8.6"W x 4.8"H	5 Years	50,000 Hours
X	X	X	X	X	X	X
X	X	X	X	X	X	X

## ORDERING GUIDE

Company Code	Wattage	Series	Y= Dimming Options	Z= CCT	D= Beam Angle	A= Lens Cover
JLX	30w/50w	R2/R4	Dimmable	2200K - 7000K	120 Degree	PC

## LIGHT DISTRIBUTION

120D

Center Beam fc	Beam Width
17ft	14fc 51ft 51ft
34ft	3fc 103ft 101ft
51ft	2fc 154ft 153ft
68ft	0.8fc 256ft 255ft
85ft	0.6fc 307ft 306ft

■ Vert, Spread; 120°  
■ Horiz, Spread; 120°



## CAUTION

- Risk of fire- make sure power is OFF before installation.
- Risk of electric shock- make installation with gloves.
- All wiring needs to be performed per National Electrical Code and local code by a qualified electrician.
- These lamps can be used with a light dimmer.
- High temperatures inside luminaire make certain line voltage corresponds with ballast's primary voltage.
- If the lamp or luminaire exhibits undesirable operation (i.e. buzzing, flickering, etc.), immediately turn off power and remove the lamp from luminaire and contact manufacturer.
- Luminaires should not be installed in narrow space to guarantee enough air convection.
- Do not make mass installation before sample testing.

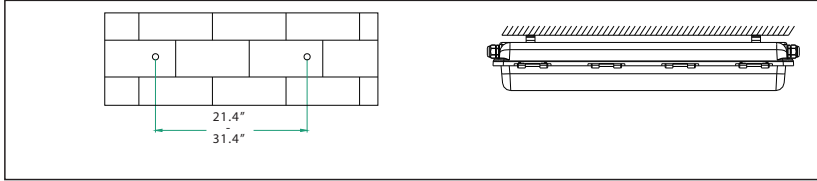
# LED Explosion Proof Light

Explosion Proof LED Strip Fixture (R Series)

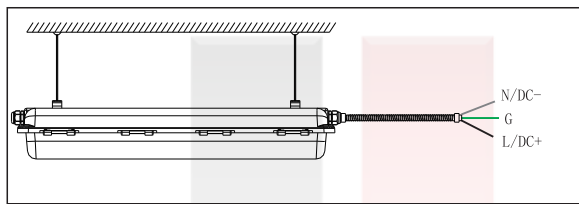


## MOUNTING OPTIONS

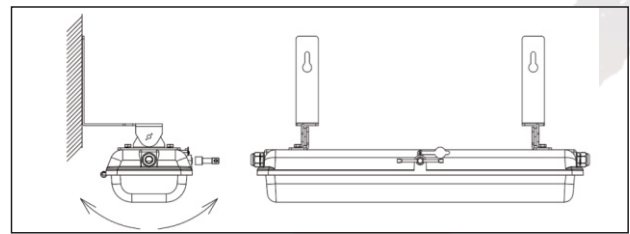
### Surface Mounting



### Pendant Mounting



### Wall Mounting



### Pole Mounting

