

# LED EXPLOSION PROOF EXIT

Explosion Proof Outdoor LED Luminaire (J SERIES)

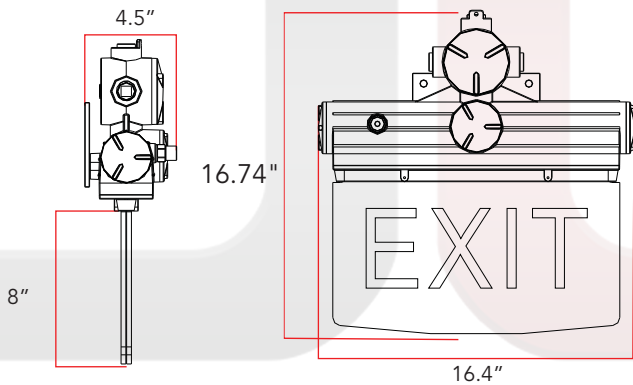


This LED Explosion Proof Exit Sign is an ideal emergency exit marking solution for hazardous locations where failsafe reliability is a must.



## DIMENSIONS

## CERTIFICATIONS & RATINGS



- NEMA 4X, IP66
- UL924
- CSA C22.2 No. 137/No.250.0
- Class I, Division 1, Groups B,C,D
- Class I, Division 2, Groups A,B,C,D
- Class II, Division 1, Groups E,F,G
- Class II, Division 2, Groups F,G
- Class III
- IECEx
- ATEX
- L70

## FEATURES

## COMMON TECHNICAL DATA

- Good heat dissipation
- Shock and vibration resistant tempered glass
- Reduces risk of premature failure
- Use in hazardous application
- High strength aluminum alloy housing
- **3 Hour Emergency Time**
- 3/4" NPT or M25 Conduit Hubs
- 5 Year Manufacturer's Warranty

Color	RED/ GREEN
Permissible Ambient Temperature	-20°C - 60°C+
Input Voltage	AC100-277V
Input Frequency	50/60Hz
Power	3W, 5W
Rated Life	5 Years/50,000 Hrs
Enclosure Material	Copper free aluminum alloy

## WARRANTY

This product has a warranty for a period of 5 years from the date of purchase. The warranty is invalid in the case of improper installation, tampering, or removal of the Q.C. date label. Installation in an improper working environment or installation not according to the current edition of the National Electric Code also invalidates the warranty. Should this product fail during the warranty period, it will be replaced free of charge, subject to correct installation and return of the faulty unit. JL Lighting® does not accept responsibility for any installation costs associated with the replacement of this product. This warranty is in addition to the statutory rights in the country of purchase. JL Lighting® reserves the right to alter specifications without prior notice.

# LED EXPLOSION PROOF EXIT

Explosion Proof Outdoor LED Luminaire (J SERIES)



## PRODUCT SPECIFICATION

Product Number	Watt	Color	Working Hours	Emergency Hours	Input Voltage	Warranty
JLX- 3W J2YZDA	3W	Red/Green	50,000 Hrs	3 Hrs	AC100-277V	5 Years
JLX- 5W J2YZDA	5W	Red/Green	50,000 Hrs	3 Hrs	AC100-277V	5 Years

## ORDERING GUIDE

JLX	3W/5W	Red/Green	J	2	YZDA
Company Code	Wattage	Color	Series	Class	Division

## CAUTION

- Risk of fire- make sure power is OFF before installation.
- Risk of electric shock- install fixture wearing gloves.
- All wiring needs to be performed per National Electrical Code and local code by a qualified electrician.
- If the lamp or luminaire exhibits undesirable operation (i.e. buzzing, flickering, etc.), immediately turn off power and remove the lamp from luminaire and contact manufacturer.
- Luminaires should not be installed in narrow space to guarantee enough air convection.
- Do not make mass installation before sample testing.