

# LED EXPLOSION PROOF LIGHT

Explosion Proof Outdoor LED Luminaire (I SERIES)

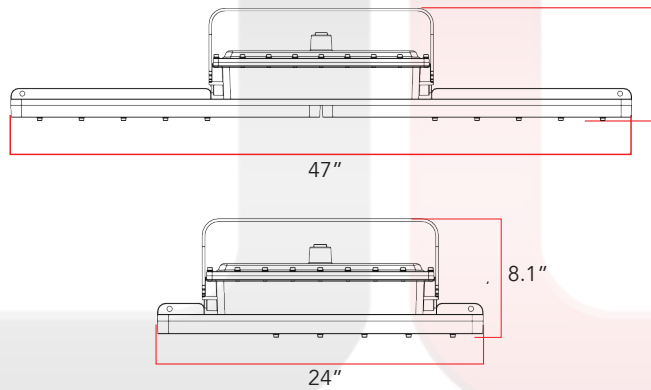


Our I Series LED Explosion Proof Light can provide general illumination in hazardous locations such as oil refineries, gasoline loading docks, distilleries, pumping stations, mines, vessels, paint manufacturing plants and other high humidity, high temperature, dusty locations.



**BUY NOW**

## DIMENSIONS



## CERTIFICATIONS & RATINGS



- NEMA 4X, IP66
- UL1598/UL1589A/UL844
- CSA C22.2 No. 137/No.250.0
- Class I, Division 1, Groups C,D
- Class I, Division 2, Groups A,B,C,D
- Class II, Division 1, Groups E,F,G
- Class II, Division 2, Groups E,F,G
- Class III
- IECEX
- ATEX
- L70

## FEATURES

- Surface mounting and pendant installation
- High vibration resistance
- IP66 Rating
- Wide and narrow optics for uniform illumination
- Copper free aluminum
- 5 Year Manufacturer's Warranty

## COMMON TECHNICAL DATA

Color Temperature	5000K
CRI	> 70
Beam Angle	120°
Operation Temperature	-40°C to 60°C
Efficiency	More than 140 LPW
Input Voltage	AC100-277V/200-480V
Frequency	50-60Hz
Power Factor	More than 0.90
Rated Life	150,000 hours



I SERIES



## WARRANTY

This product has a warranty for a period of 5 years from the date of purchase. The warranty is invalid in the case of improper installation, tampering, or removal of the Q.C. date label. Installation in an improper working environment or installation not according to the current edition of the National Electric Code also invalidates the warranty. Should this product fail during the warranty period, it will be replaced free of charge, subject to correct installation and return of the faulty unit. James® does not accept responsibility for any installation costs associated with the replacement of this product. This warranty is in addition to the statutory rights in the country of purchase. James® reserves the right to alter specifications without prior notice.

# LED EXPLOSION PROOF LIGHT

Explosion Proof Outdoor LED Luminaire (I SERIES)



## PRODUCT SPECIFICATION

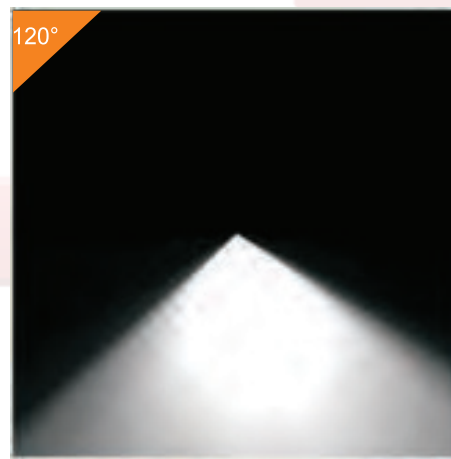
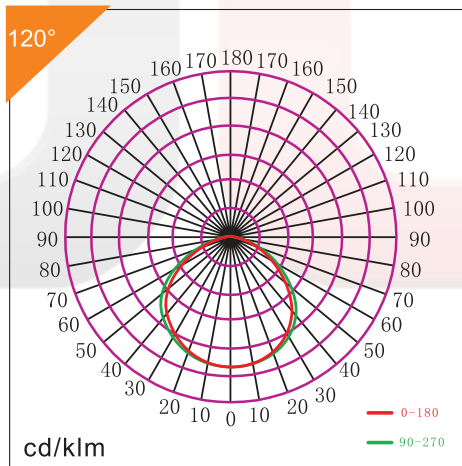
Product Number	Wattage	Color	Beam Angle	Lumens	Input Voltage
JLX-80W I4YZDA	80W	5000K	40°, 60°, 90°, 120°	11,200	AC100-277V/AC200-480V
JLX-100W I4YZDA	40W	5000K	40°, 60°, 90°, 120°	14,000	AC100-277V/AC200-480V

"I" = Product Series "Y"= D or N: Dimmable or Non-Dimmable "Z"= CCT (4000K-5700K) "D"= Beam Angle: 120° "A"= Mounting Options

## ORDERING GUIDE

JLX	80W/100W	I2/I4	D/N	5000K	120°	AM/DM/YM/FM
Company Code	Wattage	Series	Y= Dimming Options	Z= CCT	D= Beam Angle	A= Mounting Options

## LIGHT DISTRIBUTION



## CAUTION

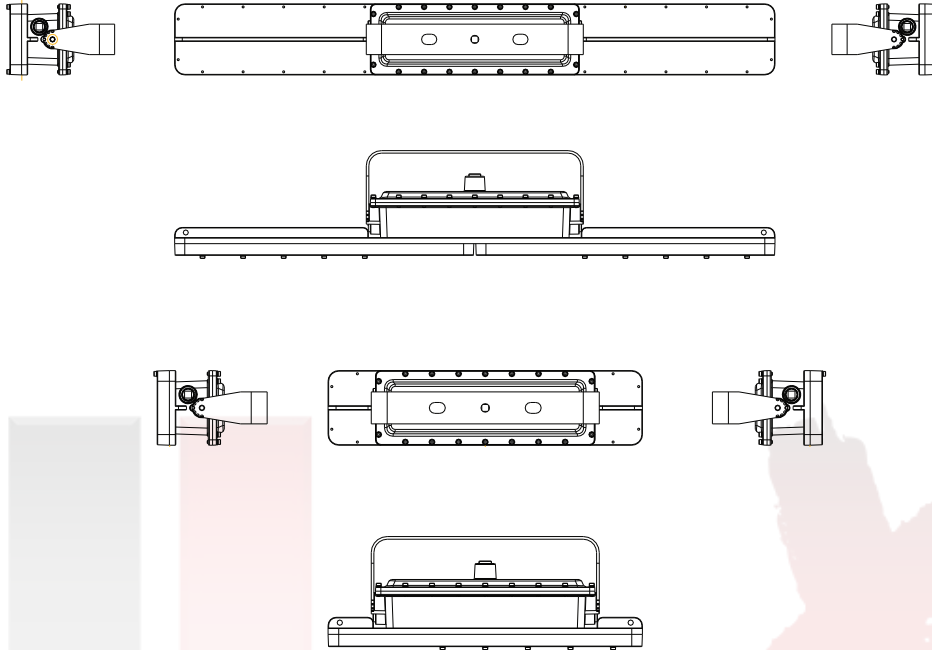
- Risk of fire- make sure power is OFF before installation.
- Risk of electric shock- make installation with gloves.
- All wiring needs to be performed per National Electrical Code and local code by a qualified electrician.
- These lamps can be used with a light dimmer.
- High temperatures inside luminaire make certain line voltage corresponds with ballast's primary voltage.
- If the lamp or luminaire exhibits undesirable operation (i.e. buzzing, flickering, etc.), immediately turn off power and remove the lamp from luminaire and contact manufacturer.
- Luminaires should not be installed in narrow space to guarantee enough air convection.
- Do not make mass installation before sample testing.

# LED EXPLOSION PROOF LIGHT

Explosion Proof Outdoor LED Luminaire (I SERIES)



## STRUCTURE DIAGRAM



## MOUNTING OPTIONS

